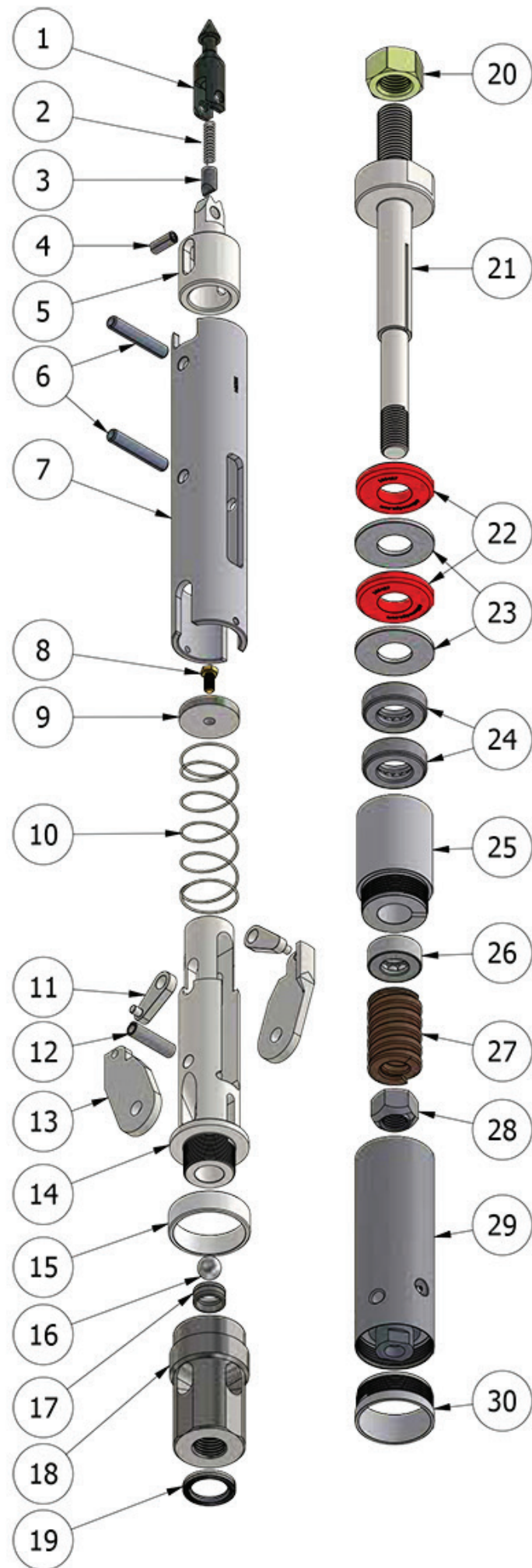


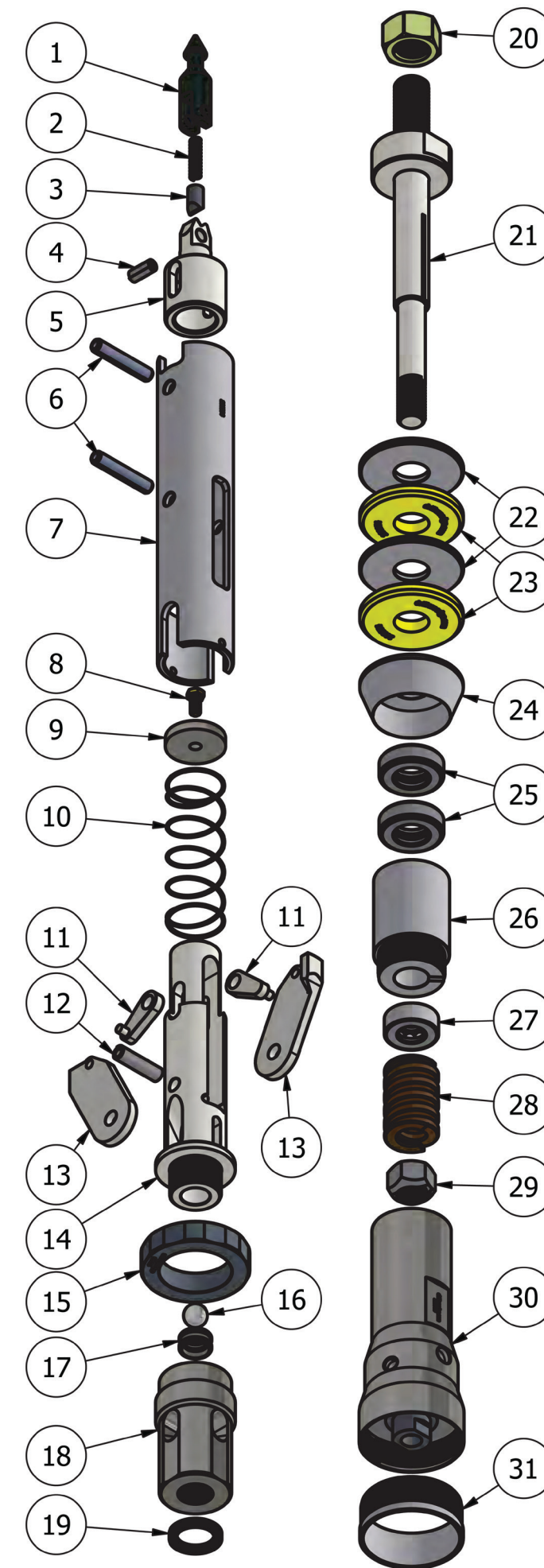
# RetroLATCH™ CORE BARREL HEAD ASSEMBLY

## BNH Configurations



Item	Description	B		N		H	
		p/n	qty	p/n	qty	p/n	qty
1-30	HEAD ASSEMBLY	104951	-	104952	-	104953	-
1	Spearhead Point	100462	1	100462	1	100462	1
2	Spearhead Spring	100447	1	100447	1	100447	1
3	Detent Plunger	100463	1	100463	1	100463	1
4	Spearhead Pin	100448	1	100448	1	100448	1
5	Spearhead Base	100712	1	100464	1	100493	1
6	Latch Retracting Pin	100701	2	100449	2	100483	2
7	Latch Retracting Case	100713	1	100465	1	101394	1
8	Bolt	105007	1	105007	1	105007	1
9	Washer	104950	1	104943	1	104946	1
10	Spring	104949	1	104942	1	101691	1
11	Link	104947	1	104940	1	104944	2
12	Latch Pivot Pin	100702	1	100451	1	100484	1
13	Latch	104948	2	104941	2	104945	2
14	Latch Body Upper	100714	2	100466	2	101395	1
15	Landing Shoulder	100716	1	100469	1	100497	1
16	SS Ball	100452	1	100452	1	100452	1
17	Landing Indicator Bushing	100468	1	100468	1	100468	1
18	Latch Body Lower	100717	1	100470	1	100498	1
19	Nord Lock Washer	100703	1	100453	1	100485	1
20	Jam Nut	100704	1	100454	1	100486	1
21	Spindle	100718	1	100471	1	100499	1
22	Shut-Off Valve Hard	100705	2	100455	2	100487	2
23	Shut-Off Washer	100706	2	100456	2	100488	2
24	Upper Bearing	100707	2	100457	1	100489	2
25	Spindle Bushing	100718	1	104072	1	100500	1
26	Lower Bearing	100719	1	100458	1	100457	1
27	Compression Spring	100709	1	100459	1	100491	1
28	Lock Nut	100711	1	100460	1	100492	1
29	Inner Tube Cap Assembly	100721	1	100475	1	100502	1
30	Thread Protector	100639	1	100602	1	100603	1

## P Configuration



Item	Description	P	
		p/n	qty
1-31	HEAD ASSEMBLY	104954	-
1	Spearhead Point	100462	1
2	Spearhead Spring	100447	1
3	Detent Plunger	100463	1
4	Spearhead Pin	100448	1
5	Spearhead Base	100493	1
6	Latch Retracting Pin	100483	2
7	Latch Retracting Case	101394	1
8	Bolt	105007	1
9	Washer	104946	1
10	Spring	101691	1
11	Link	104944	2
12	Latch Pivot Pin	100484	1
13	Latch	104956	2
14	Latch Body Upper	101395	1
15	Landing Shoulder Ring	100953	1
16	SS Ball	100452	1
17	Landing Indicator Bushing	100468	1
18	Latch Body Lower	100498	1
19	Nord-Lock Washer	100485	1
20	Jam Nut	100486	1
21	Spindle	100499	1
22	Shut-Off Washer	100955	2
23	Shut-Off Valve	100954	2
24	Tapered Shut-Off Washer	100956	1
25	Upper Bearing	100489	2
26	Spindle Bushing	100500	1
27	Lower Bearing	100457	1
28	Compression Spring	100491	1
29	Lock Nut	100492	1
30	Inner Tube Cap Assembly	100502	1
31	Thread Protector	100603	1