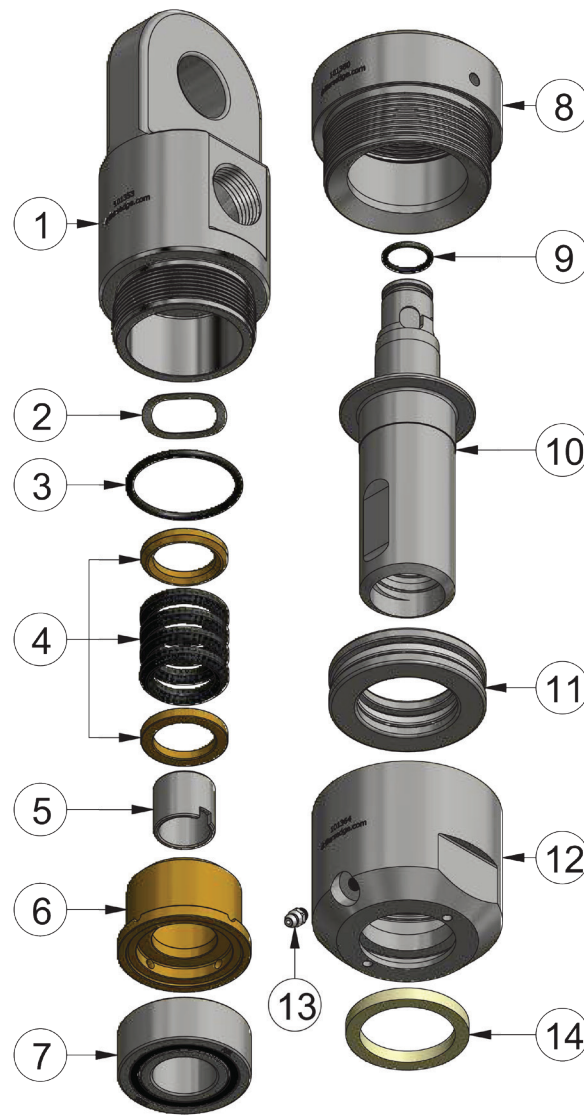




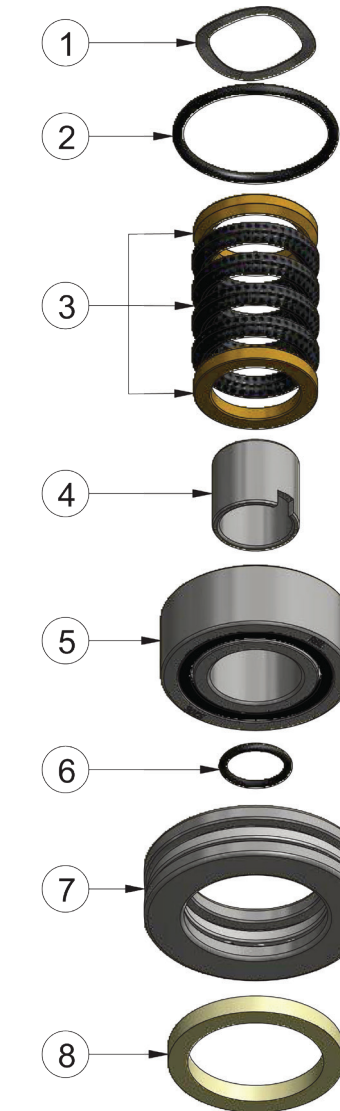
COMPACT WATER SWIVEL ASSEMBLIES



SURFACE ASSEMBLIES

Item	Description	p/n	qty
1-14	COMPACT WATER SWIVEL ASSEMBLY	101388	-
1	Swivel Cap	101353	1
2	Wavy Washer	101354	1
3	O-Ring, Upper	101355	1
4	Swivel Packing Set	101356	1
5	Wear Sleeve, Slotted	101357	1
6	Packing Cage	101358	1
7	Ball Bearing	101359	1
8	Swivel Body, Upper	101360	1
9	O-Ring, Lower	101361	1
10	Spindle	101362	1
11	Thrust Bearing	101363	1
12	Swivel Body, Lower	101364	1
13	Grease Fitting	100461	1
14	Felt Seal	101365	1

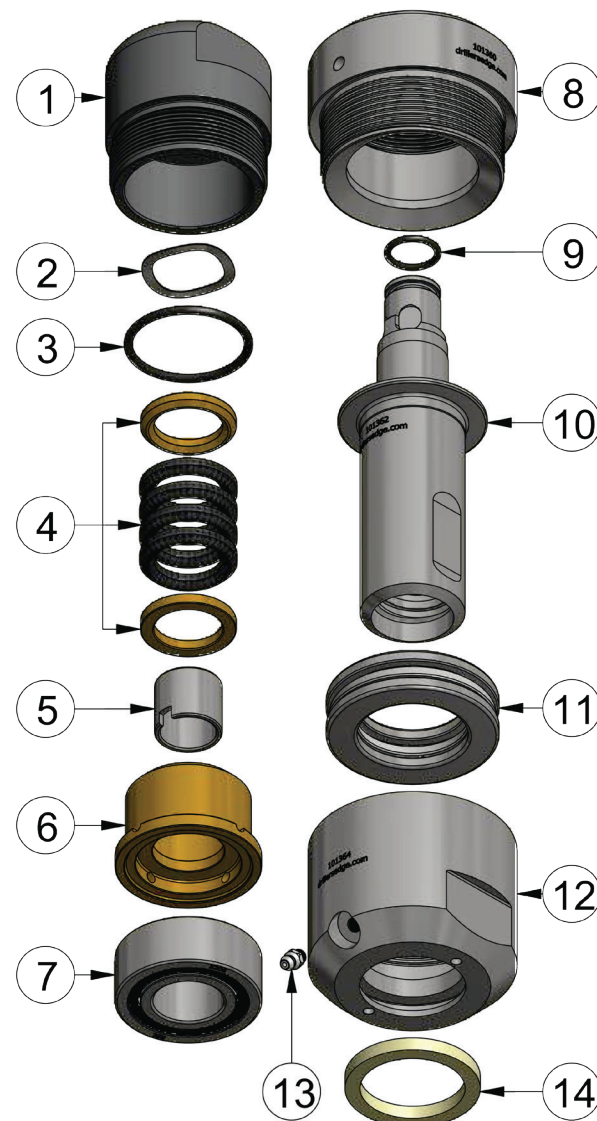
Note: Surface Compact Water Swivel Assemblies are available in B, N, N2, N3, H, H3



SPARES

Item	Description	B	
		p/n	qty
1-8	COMPACT WATER SWIVEL SPARES	101389	-
1	Wavy Washer	101354	2
2	O-Ring, Upper	101355	6
3	Swivel Packing Set	101356	3
4	Wear Sleeve, Slotted	101357	2
5	Ball Bearing	101359	1
6	O-Ring, Lower	101361	6
7	Thrust Bearing	101363	1
8	Felt Seal	101365	2

Note: Compact Water Swivel Assembly Spares are available in B, N, N2, N3, H, H3, BU, NU, N2U, HU



UNDERGROUND ASSEMBLIES

Item	Description	p/n	qty
1-14	COMPACT WATER SWIVEL ASSEMBLY	101865	-
1	Swivel Cap	101864	1
2	Wavy Washer	101354	1
3	O-Ring, Upper	101355	1
4	Swivel Packing Set	101356	1
5	Wear Sleeve, Slotted	101357	1
6	Packing Cage	101358	1
7	Ball Bearing	101359	1
8	Swivel Body, Upper	101360	1
9	O-Ring, Lower	101361	1
10	Spindle	101362	1
11	Thrust Bearing	101363	1
12	Swivel Body, Lower	101364	1
13	Grease Fitting	100461	1
14	Felt Seal	101365	1

Note: Underground Compact Water Swivel Assemblies are available in BU, NU, N2U, HU