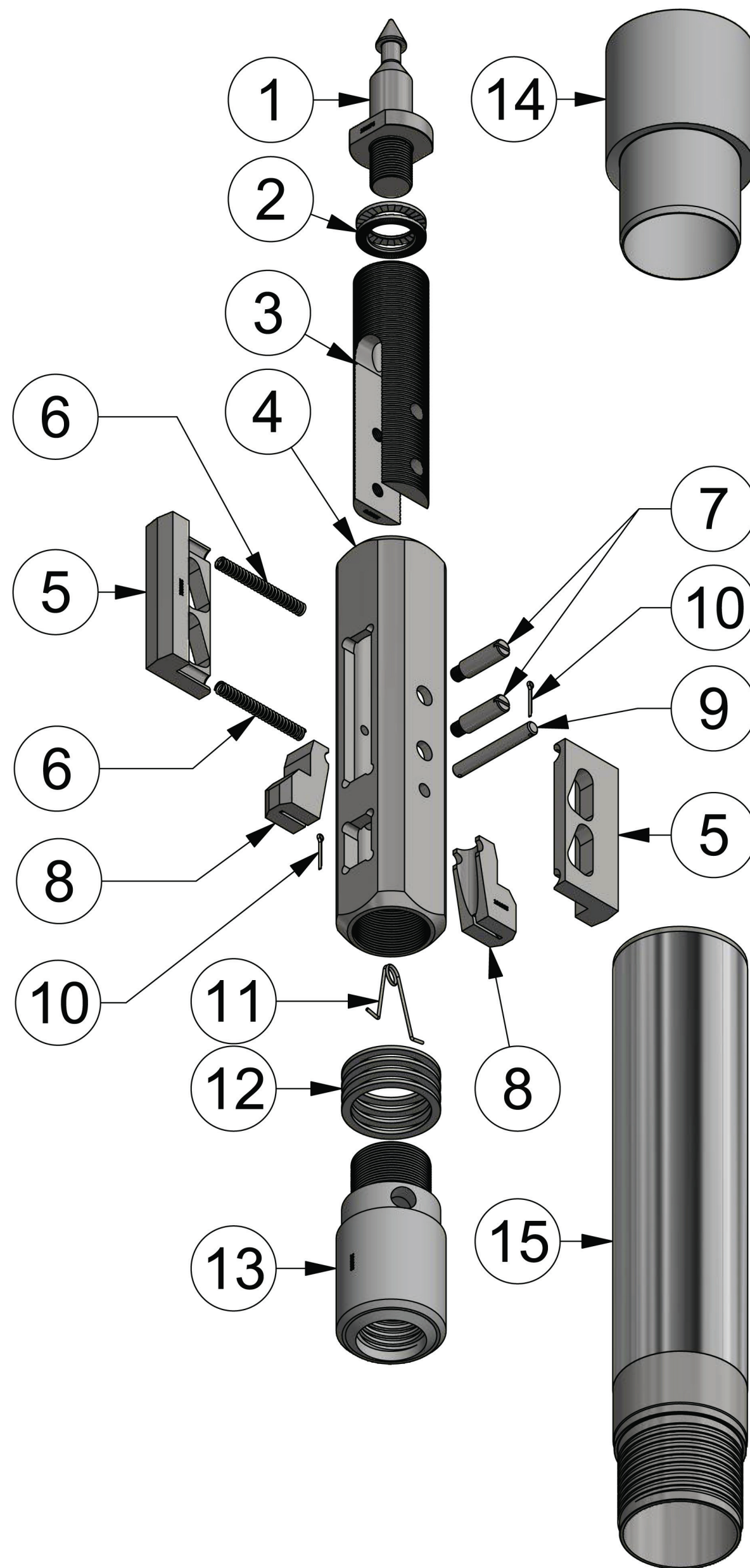




CASING ADVANCER ASSEMBLIES



Item	Description	BW		NW		NWL		HW		HWL		HWT		PWT	
		p/n	qty	p/n	qty	p/n	qty	p/n	qty	p/n	qty	p/n	qty	p/n	qty
1-15	CASING ADVANCER ASSEMBLY	101940	-	101938	-	101941	-	102168	-	101869	-	101868	-	102016	-
-	Inner Assembly, Casing Advancer	102003	-	102001	-	102157	-	102170	-	101875	-	101874	-	102017	-
1	Spearhead	102004	1	101876	1	102004	1	101876	1	101876	1	101876	1	101876	1
2	Nord-Lock Washer	102005	1	100453	1	102005	1	100453	1	100453	1	100453	1	100453	1
3	Release Shaft	102006	1	101878	1	102006	1	101878	1	101878	1	101878	1	101878	1
4	Latch Body	102007	1	101879	1	102007	1	101880	1	101879	1	101880	1	102018	1
5	Latch Shoe	102008	2	101881	2	102008	2	101882	2	101881	2	101882	2	102019	2
6	Spring	102009	2	101883	2	102009	2	101883	2	101883	2	101883	2	101883	2
7	Locating Pin	102010	2	101884	2	102010	2	101884	2	101884	2	101884	2	101884	2
8	Stop Latch Set	102011	1	101885	1	102011	1	101886	1	101885	1	101886	1	102020	1
9	Stop Latch Pin	102012	1	101887	1	102012	1	101888	1	101887	1	101888	1	102021	1
10	Split Cotter Pin	101889	2	101889	2	101889	2	101889	2	101889	2	101889	2	101889	2
11	Stop Latch Spring	101890	1	101890	1	101890	1	101890	1	101890	1	101890	1	101890	1
12	Spacer Set	102013	1	101891	1	102013	1	101892	1	101891	1	101892	1	102022	1
13	Bit Sub	102014	1	101893	1	102014	1	101894	1	101893	1	101894	1	102023	1
14	Loading Sleeve	102015	1	101895	1	102158	1	102172	1	102107	1	101896	1	102024	1
15	Driver	101942	1	101938	1	101943	1	102174	1	101897	1	101898	1	102025	1

