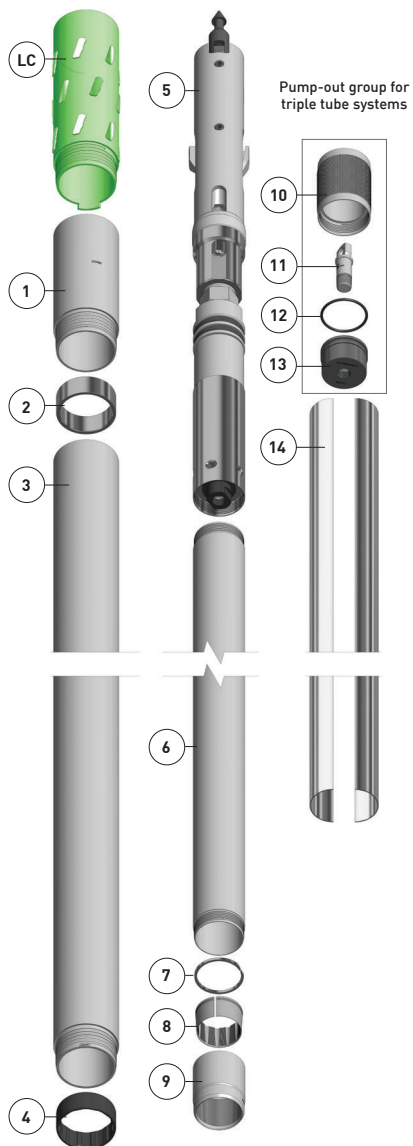


RetroLATCH™ CORE BARREL ASSEMBLY – SURFACE



Item	Description	B			N			N3			N2			H			H3			P			P3		
		5ft (1.5m)	10ft (3.0m)	qty	5ft (1.5m)	10ft (3.0m)	qty	5ft (1.5m)	10ft (3.0m)	qty	5ft (1.5m)	10ft (3.0m)	qty	5ft (1.5m)	10ft (3.0m)	qty	5ft (1.5m)	10ft (3.0m)	qty	5ft (1.5m)	10ft (3.0m)	qty	5ft (1.5m)	10ft (3.0m)	qty
1-9	CORE BARREL ASSEMBLY (1-14 for triple tube)	106314	106316	-	106330	106332	-	106346	106348	-	106338	106340	-	106354	106356	-	106362	106364	-	106370	106372	-	106378	106380	-
1-9	FULL HOLE CORE BARREL ASSEMBLY	106315	106317	-	106331	106333	-	106347	106349	-	106339	106341	-	106355	106357	-	106363	106365	-	**	**	-	**	**	-
LC	Locking Coupling	Di-Corp offers a number of Locking Coupling options. See table below for options.																							
1	Adaptor Coupling	100735	1	100542	1	100542	1	100542	1	100586	1	100586	1	100962	1	100962	1	100962	1	100962	1	100962	1	100962	1
2	Landing Ring	100737	1	100439	1	100439	1	100440	1	100441	1	100441	1	100442	1	100442	1	100442	1	100442	1	100442	1	100442	1
3A	Outer Tube (Standard)	100758	100726	1	100588	100545	1	100588	100545	1	100588	100545	1	100590	100547	1	100590	100547	1	100592	100549	1	100592	100549	1
3B	Outer Tube (Full Hole)	100777	100778	1	100781	100782	1	100781	100782	1	100781	100782	1	100785	100786	1	100785	100786	1	**	**	-	**	**	-
4	Inner Tube Stabilizer	100734	1	100443	1	100443	1	100444	1	100445	1	100445	1	100446	1	100446	1	100446	1	100446	1	100446	1	100446	1
5	Head Assembly	104951	1	104952	1	104952	1	105671	1	104953	1	104953	1	104954	1	104954	1	104954	1	104954	1	104954	1	104954	1
6	Inner Tube	100757	100725	1	100587	100544	1	100587	100544	1	100626	100550	1	100589	100546	1	100589	100546	1	100591	100548	1	100591	100548	1
7	Stop Ring	100730	1	100417	1	101787	1	100434	1	100435	1	100436	1	100437	1	100437	1	100437	1	100437	1	100437	1	100437	1
8A	Core Lifter, Slotted	100731	1	100415	1	-	-	100424	1	100419	1	103133	1	-	-	-	-	-	-	-	-	-	-	-	
8B	Core Lifter, Fluted	100732	1	100423	1	101780	1	100425	1	100426	1	100427	1	100420	1	100420	1	100420	1	100420	1	100420	1	100420	1
9	Core Lifter Case	100733	1	100416	1	101144	1	100429	1	100430	1	100431	1	100432	1	100432	1	100432	1	100432	1	100432	1	100432	1
10	Pump-Out Adapter	-	-	-	-	101794	1	-	-	-	-	-	101371	1	-	-	-	-	-	-	-	101588	1	-	
11	Piston Plug	-	-	-	-	101370	1	-	-	-	-	-	101370	1	-	-	-	-	-	-	-	101370	1	-	
12	O-Ring	-	-	-	-	101381	1	-	-	-	-	-	101369	1	-	-	-	-	-	-	-	101382	1	-	
13	Core Ejection Piston	-	-	-	-	101380	1	-	-	-	-	-	101368	1	-	-	-	-	-	-	-	101589	1	-	
14	Inner Tube, Split	-	-	-	-	101711	101366	1	-	-	-	-	101712	101367	1	-	-	-	-	-	-	101592	101373	1	

LOCKING COUPLING OPTIONS

Type	BWL		BD		BR		BS		NWL		ND		NR		NS	
	Tang	No Tang	Tang	No Tang	Tang	No Tang	Tang	No Tang	Tang	No Tang	Tang	No Tang	Tang	No Tang	Tang	No Tang
Conventional	**	**	**	**	**	**	**	**	106723	-	106725	-	106727	-	106712	-
Full Hole	100736	100763	104121	104122	104971	104985	**	**	100616	100741	100851	102691	104139	104143	106127	106128
Carbide Set	105307	105308	105343	105344	105345	105346	**	**	105309	105311	105347	105348	105349	105350	106139	106140

Type	HWL		HD		HR		HS		PD	
	Tang	No Tang	Tang	No Tang	Tang	No Tang	Tang	No Tang	Tang	No Tang
Conventional	106721	-	106731	-	106733	-	106735	-	101541	-
Full Hole	100620	100773	102694	102695	104244	104245	106456	106457	100961	101625
Carbide Set	103912	103859	103881	104221	104240	104241	106460	106461	**	**

**Part Number currently not available. Contact your sales rep to order.