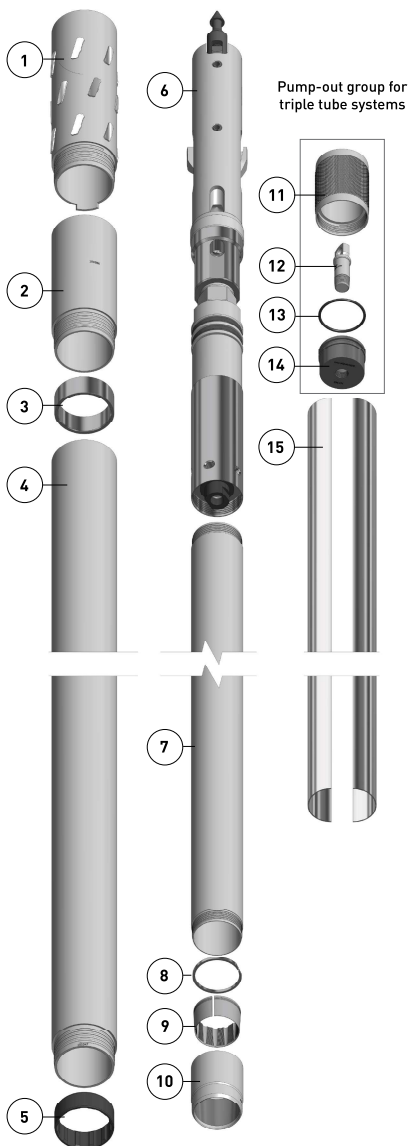


## CORE BARREL ASSEMBLY – SURFACE



Item	Description	B			N			N3			N2			H			H3			P			P3			
		5ft (1.5m)	10ft (3.0m)	qty	5ft (1.5m)	10ft (3.0m)	qty	5ft (1.5m)	10ft (3.0m)	qty	5ft (1.5m)	10ft (3.0m)	qty	5ft (1.5m)	10ft (3.0m)	qty	5ft (1.5m)	10ft (3.0m)	qty	5ft (1.5m)	10ft (3.0m)	qty	5ft (1.5m)	10ft (3.0m)	qty	
1-10	<b>CORE BARREL ASSEMBLY</b> (1-15 for triple tube)	100699	100738	-	100621	100613	-	101791	101790	-	100622	100614	-	101440	101439	-	101713	101372	-	101142	101141	-	101591	101590	-	
6-10	<b>INNER TUBE BARREL ASSEMBLY</b> (6-15 for triple tube)	100691	100693	-	100642	100490	-	101783	101792	-	100643	100624	-	101438	101437	-	101715	101714	-	101140	101139	-	102412	102411	-	
1	<b>Locking Coupling, Conventional Tang</b>	100768		1	100769		1	100769		1	100769		1	100770		1	101770		1	101541		1	101541		1	
2	<b>Adaptor Coupling</b>	100735		1	100542		1	100542		1	100542		1	100586		1	100586		1	100962		1	100962		1	
3	<b>Landing Ring</b>	100737		1	100439		1	100439		1	100440			100441		1	100441		1	100442		1	100442		1	
4	<b>Outer Tube</b>	100758	100726	1	100588	100545	1	100588	100545	1	100588	100545	1	100590	100547	1	100590	100547	1	100592	100549	1	100592	100549	1	
5	<b>Inner Tube Stabilizer</b>	100734		1	100443		1	100443		1	100444		1	100445		1	100445		1	100446		1	100446		1	
6	<b>Head Assembly</b>	100700		1	100476		1	100476		1	100555		1	101407		1	101407		1	101000		1	101000		1	
7	<b>Inner Tube</b>	100757	100725	1	100587	100544	1	100587	100544	1	100626	100550	1	100589	100546	1	100589	100546	1	100591	100548	1	100591	100548	1	
8	<b>Stop Ring</b>	100730		1	100417		1	101787		1	100434		1	100435		1	100436		1	100437		1	100438		1	
9	<b>Core Lifter, Slotted</b>	100731		1	100415		1	-		-	100424		1	100419		1	-		-	-		-		-		
9	<b>Core Lifter, Fluted</b>	-		-	-		-	101780		1	-		-	-		-	100427		1	100420		1	100428		1	
10	<b>Core Lifter Case</b>	100733		1	100416		1	101144		1	100429		1	100430		1	100431		1	100432		1	100433		1	
11	<b>Pump-Out Adapter</b>	-		-	-		-	101794		1	-		-	-		-	101371		1	-		-		101588		1
12	<b>Piston Plug</b>	-		-	-		-	101370		1	-		-	-		-	101370		1	-		-		101370		1
13	<b>O-Ring</b>	-		-	-		-	101381		1	-		-	-		-	101369		1	-		-		101382		1
14	<b>Core Ejection Piston</b>	-		-	-		-	101380		1	-		-	-		-	101368		1	-		-		101589		1
15	<b>Inner Tube, Split</b>	-		-	-		-	101711	101366	1	-		-	-		-	101712	101367	1	-		-		101592	101373	1

### OPTIONS

<b>Locking Coupling, Conventional No Tang</b>	100739		1	101542		1	101542		1	101542		1	100742		1	100742		1	101543		1	101543		1	
<b>Locking Coupling, Full-Hole Tang</b>	100736		1	100616		1	100616		1	100620		1	100620		1	100961		1	100961		1	100961		1	
<b>Locking Coupling, Full-Hole No Tang</b>	100763		1	100741		1	100741		1	100741		1	100773		1	100773		1	101625		1	101625		1	
<b>Core Lifter, Fluted</b>	100732		1	100423		1	-		-	100425		1	100426		1	-		-	-		-		-		-
<b>Core Lifter, Slotted, Diamond Coated</b>	101623		1	100845		1	-		-	100846		1	100847		1	-		-	-		-		-		-
<b>Core Lifter, Fluted, Diamond Coated</b>	101624		1	100848		1	101789		1	100849		1	100850		1	100619		1	102097		1	101172		1	
<b>Core Lifter, Smooth</b>	101566		1	100418		1	-		-	100641		1	101567		1	-		-	101568		1	-		-	
<b>Outer Tube, Chrome Plated</b>	100775	100776	1	100779	100780	1	100779	100780	1	100779	100780	1	100783	100784	1	100783	100784	1	102421	102422	1	102421	102422	1	
<b>Inner Tube, Chrome Plated</b>	100760	100761	1	100787	100788	1	100787	100788	1	101852	101688	1	100789	100790	1	100789	100790	1	102423	102424	1	102423	102424	1	
<b>Conversion Kit, Link Latch to Edge Latch</b>	101423		1	191424		1	101424		1	101424		1	101425		1	101425		1	101426		1	101426		1	
<b>Inner Tube Coupling</b> (for extending core barrels)	100708		1	100632		1	-		-	-		-	100633		1	-		-	101629		1	-		-	
<b>Inner Tube Extension, Stabilized Shell</b> (for extending core barrels using 10" shell)	100762		1	100552		1	-		-	-		-	100664		1	-		-	-		-		-		
<b>Inner Tube Extension, Double Stabilized Shell</b> (for extending core barrels using 18" shell)	100903		1	-		-	-		-	-		-	-		-	-		-	-		-		-		