



DRILL ROD AND CASING

Parallel Wall Drill Rod
LITE Drill Rod
Thin Wall Drill Rod
Casing
Adaptor Subs



**AT DI-CORP,
WE HAVE PROUDLY
DEVELOPED A
REPUTATION FOR
EXCEEDING CUSTOMER
EXPECTATIONS FOR
OVER 50 YEARS.**

We build relationships that focus not only on Down To Earth customer service, but the capabilities and expertise of our staff as well.

As a leading manufacturer and distributor of specialty chemicals, parts and accessories serving the Energy, Mining, and Drilling industries, we can focus on all aspects of your project.

We know that all relationships require integrity and partnership. We believe that having dedicated staff providing personalized service along with our focused product lines will lead to your success.

We approach partnerships with current market knowledge, superior problem solving capability and technical support backed by our Research & Development teams along with International distribution capabilities.



Engineered and manufactured to the highest standards of quality and precision, Drillers Edge offers a wireline drill rod solution that improves your bottom line and increases your competitiveness.

Each stage of the process, from material selection to manufacturing, packaging and handling, is controlled and supported by an experienced team of professionals — you can be confident that every rod that leaves our facility will perform to your expectations.

Drillers Edge uses an environmentally friendly thread compound to reduce friction. This allows for proper make-up of the joint with less torque and reduced galling. Every rod has been factory coated with this compound on the box and pin ends and the use of this compound is MANDATORY for the initial make-up of the joint.

High Quality Material

- Uniform wall thickness ensures greater joint strength, balanced rotation and even wear
- Treated to reduce bent rods
- Through-hardened box and pin ends maximize joint strength and increase rod life

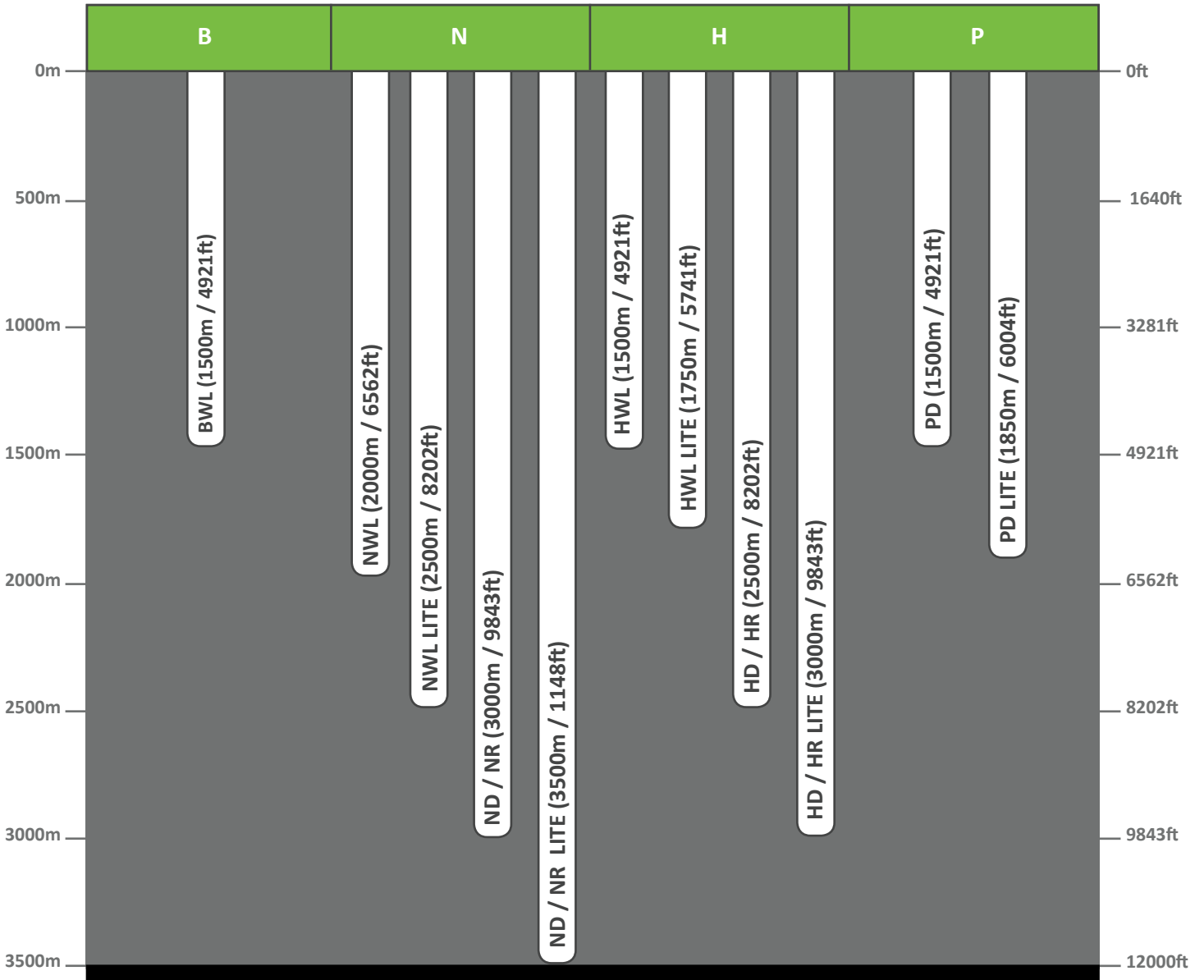
Precision Machined Threads

- Not distorted by a secondary case hardening providing a superior joint fit, less chance of joint pulling apart
- Greater depth capacity
- Less bulging and breaking
- Prevents fluid loss
- “D” thread option for even deeper holes — thread design transfers the force up the drill string instead of outwards to keep the thread from slipping



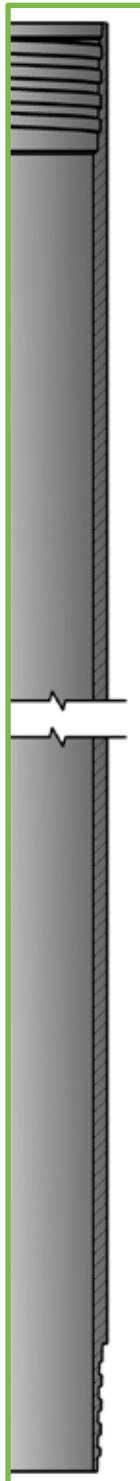
DEPTH CAPACITY CHART

DRILL ROD DEPTH CAPACITY CHART



PARALLEL WALL

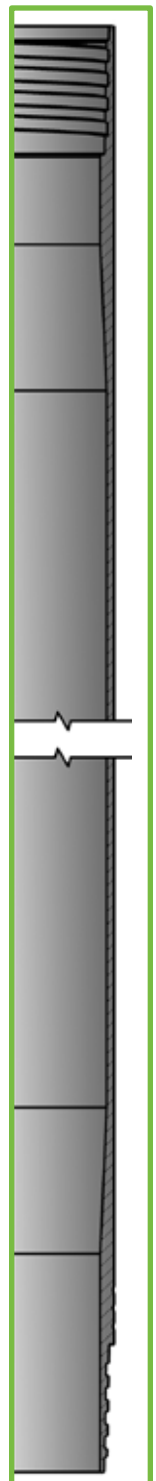
- Uniform wall thickness for even wear and less vibration resulting in longer life
- Treated to reduce bent rods
- Through-hardened box and pin ends to maximize joint strength and increase rod life
- Entire length coated with environmentally friendly rust inhibitor
- High quality alloy steel
- Pin ends stamped for easy traceability
- Packaged and sold in bundles with metal end caps to protect the threaded ends during shipping
 - B = 19 rods / bundle
 - N = 19 rods / bundle
 - H = 19 rods / bundle
 - P = 7 rods / bundle
- Bundle end cap decals for easy identification
- Available in WL, D and R thread forms
 - D identified with two grooves behind pin end
 - R identified with one groove behind pin end



LITE

- Internally upset midbody resulting in less rod weight for greater depths and/or the use of smaller drills:
 - 12% N sized rods
 - 22% H sized rods
 - 23% P sized rods
- Thinner midbody makes LITE drill rods ideal for projects requiring wedging
- Treated to reduce bent rods
- Through-hardened box and pin ends to maximize joint strength and increase rod life
- Entire length coated with environmentally friendly rust inhibitor
- High quality alloy steel
- Pin ends stamped for easy traceability
- Packaged and sold in bundles with metal end caps to protect the threaded ends during shipping
- Bundle end cap decals for easy identification
- Available in WL, D and R thread forms
 - D identified with two groove behind pin end
 - R identified with one groove behind pin end

Drawing has been exaggerated to show inside LITE.



THREAD OPTIONS

STANDARD WIRELINE (WL)

- Precision machined
- Industry standard thread form that has been used in the field for decades
- No secondary hardening on the finished thread therefore no distortion for a truer fit resulting in:
 - Increased depth
 - Less bulging and breaking
 - Reduced fluid loss
 - Less pulling apart
- Box and pin ends are factory coated with environmentally friendly thread compound to reduce friction for less torque on make-up and reduced galling
- Biodegradable plastic caps protect the threads from damage and prevent the compound from becoming contaminated or removed
- Full line of accessory products

DEEP HOLE OPTIONS (D / R)

- Precision machined
- Transfers forces more efficiently than standard wireline for less chance of joint failure (slipping and/or popping). Well suited for deeper holes
- No secondary hardening on the finished thread therefore no distortion for a truer fit resulting in:
 - Increased depth
 - Less bulging and breaking
 - Reduced fluid loss
 - Less pulling apart
- Box and pin ends are factory coated with environmentally friendly thread compound to reduce friction for less torque on make-up and reduced galling (R Thread product includes an additional process to prevent galling)
- Biodegradable plastic caps protect the threads from damage and prevent the compound from becoming contaminated or removed
- Easily identified, D Thread has two grooves while R Thread has one groove behind the pin end
- Full line of accessory products

WARNING

All threads are precision machined and mixing Di-Corp rods with other manufacturers' rod, adaptors, or threaded accessories is not recommended. Failure to adhere to this recommendation may cause premature failure, an investigation may result in the warranty becoming void.

B - CORE RETRIEVAL SYSTEM

BWL	Drill Rods
BW	Casing
AW BW	Water Swivel Adaptor Subs
AW NW	Hoisting Plug Adaptor Subs
BWL	Rod to Casing Adaptor Subs
BWL	Rod to Rod Adaptor Subs
BWL	Recovery Tap Adaptor Subs
BWL	Water Saver Subs
BWL	Blank End Adaptor Subs - Solid
BWL	Blank End Adaptor Subs - Tubular

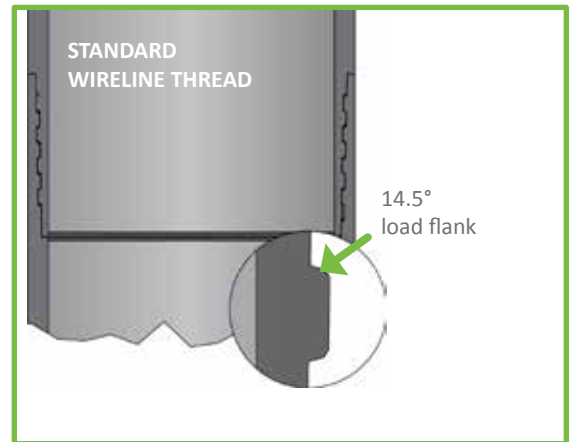
DRILL RODS AND CASING

BWL - Drill Rods

PART NUMBER	ROD SIZE	LENGTH
STANDARD WIRELINE DRILL ROD		
102109 / 102117	BWL	3 m (10 ft)
102125 / 102133	BWL	1.5 m (5 ft)
103450	BWL	0.6 m
103357	BWL	2 ft

Drill rods are sold by the bundle, refer to the packaging and shipping page for complete details.

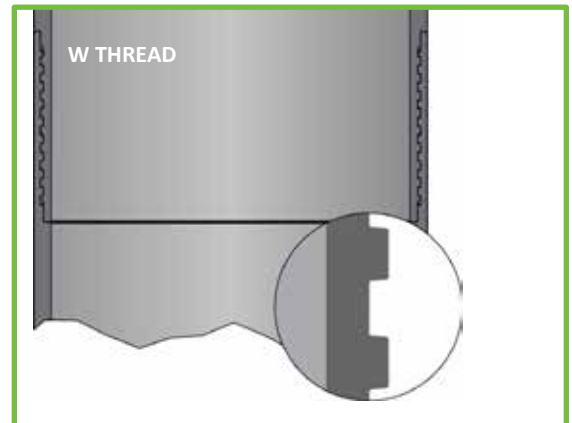
NOTE: A wear sample and wear gauges are available to measure life left in your drill rod so that issues can be avoided down the hole. See Tools section.



BW - Casing

PART NUMBER	CASING SIZE	LENGTH
102073 / 102072	BW	3 m (10 ft)
102071 / 102070	BW	1.5 m (5 ft)
103298	BW	0.6 m
103297	BW	2 ft

Casing is sold by the bundle, refer to the packaging and shipping page for complete details.



B - Compact Water Swivel Adaptor Subs

PART NUMBER	DESCRIPTION
100669	AW Rod Pin to BWL Rod Pin

B - Universal Water Swivel Adaptor Subs

PART NUMBER	DESCRIPTION
100670	BW Rod Pin to BWL Rod Pin

B - Hoisting Plug Adaptor Subs - 5.000 LB

PART NUMBER	DESCRIPTION
100669	AW Rod Pin to BWL Rod Pin

B - Hoisting Plug Adaptor Subs - 10,000 / 30,000 LB

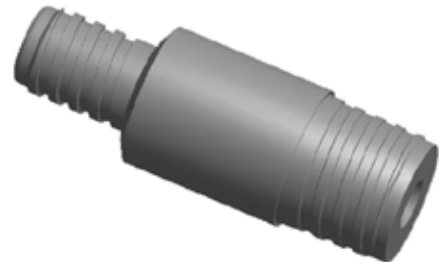
PART NUMBER	DESCRIPTION
100671	NW Rod Pin to BWL Rod Pin
102571	NW Rod Pin to BWL Bullnose

Other adaptor subs available upon request. Contact your sales representative.

ROD TO WATER SWIVEL ADAPTOR SUB



ROD TO HOIST PLUG ADAPTOR SUB



ROD TO HOIST PLUG ADAPTOR SUB



ROD TO BULL NOSE ADAPTOR SUB



ADAPTOR SUBS

B - Rod to Casing Adaptor Subs

PART NUMBER	DESCRIPTION
100669	AW Rod Pin to BWL Rod Pin

B - Rod to Rod Adaptor Subs

PART NUMBER	DESCRIPTION
100670	BW Rod Pin to BWL Rod Pin

B - Rod to Rod Recovery Tap Adaptor Subs

PART NUMBER	DESCRIPTION
100669	AW Rod Pin to BWL Rod Pin

B - Hoisting Plug Adaptor Subs - 10,000 / 30,000 LB

PART NUMBER	DESCRIPTION
100671	NW Rod Pin to BWL Rod Pin
102571	NW Rod Pin to BWL Bullnose

Other adaptor subs available upon request. Contact your sales representative.

ROD TO ROD/CASING ADAPTOR SUB



ROD TO RECOVERY TAP ADAPTOR SUB



B - Water Saver Sub

PART NUMBER	DESCRIPTION
102579	BWL Water Saver Sub

B - Blank End Adaptor Subs - Solid

PART NUMBER	DESCRIPTION
102580	BWL Rod Box to Solid Blank
102582	BWL Rod Pin to Solid Blank

B - Blank End Adaptor Subs - Tubing

PART NUMBER	DESCRIPTION
102584	BWL Rod Box to Tubing Blank
102586	BWL Rod Pin to Tubing Blank

Other adaptor subs available upon request. Contact your sales representative.

ROD TO WATER SAVER ADAPTOR SUB



ROD TO SOLID BLANK END ADAPTOR SUB



ROD TO TUBING BLANK END ADAPTOR SUB



N - CORE RETRIEVAL SYSTEM

NWL | ND

Drill Rods

NW

Casing

AW | BW

Water Swivel Adaptor Subs

AW | NW

Hoisting Plug Adaptor Subs

NWL | ND

Rod to Casing Adaptor Subs

NWL | ND

Rod to Rod Adaptor Subs

NWL | ND

Recovery Tap Adaptor Subs

NWL | ND

Water Saver Subs

NWL | ND

Blank End Adaptor Subs - Solid

NWL | ND

Blank End Adaptor Subs - Tubular

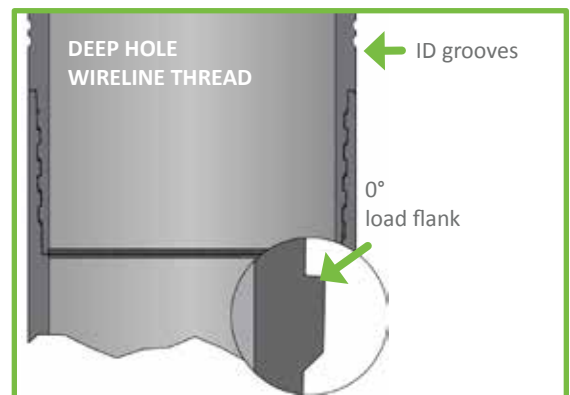
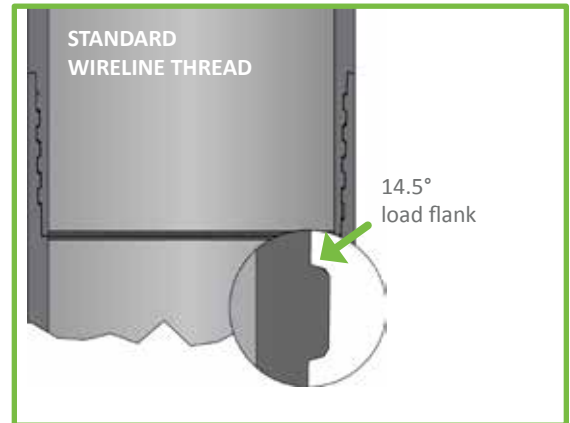
DRILL ROD AND CASING

N - Drill Rods

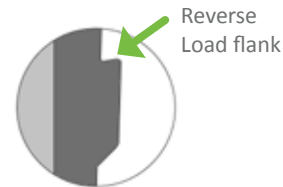
PART NUMBER	CASING SIZE	LENGTH
STANDARD WIRELINE DRILL ROD		
102110 / 102118	NWL	3 m (10 ft)
102126 / 102134	NWL	1.5 m (5 ft)
103449	NWL	0.6 m
DEEP HOLE WIRELINE DRILL ROD		
100829 / 102429	ND	3 m (10 ft)
102428 / 102430	ND	1.5 m (5 ft)
104111 / 104112	NR	3 m (10 ft)
104113 / 104114	NR	1.5 m (5 ft)
STANDARD WIRELINE DRILL ROD LITE		
102149	NWL	3 m
DEEP HOLE WIRELINE DRILL ROD LITE		
102153	ND	3 m
104264 / 104263	NR	3 m (10 ft)

Drill rods are sold by the bundle, refer to the packaging and shipping page for complete details.

NOTE: A wear sample and wear gauges are available to measure life left in your drill rod so that issues can be avoided down the hole. See Tools section.



D drill rods have two identification grooves

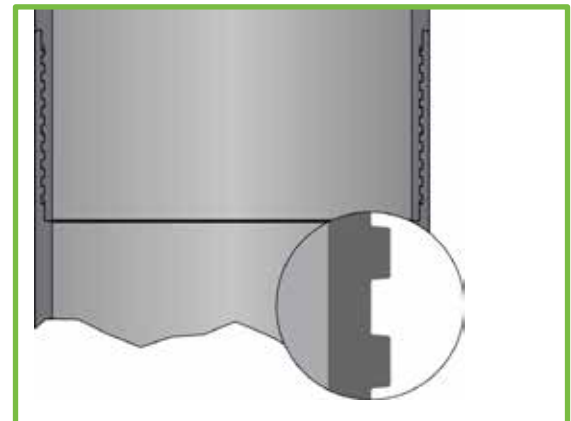


R drill rods have one indent groove

NW - Casing

PART NUMBER	CASING SIZE	LENGTH
102077 / 102076	NW	3 m (10 ft)
102075 / 102074	NW	1.5 m (5 ft)
102786	NW	0.6 m

Casing is sold by the bundle, refer to the packaging and shipping page for complete details.



ADAPTOR SUBS

N - Compact Water Swivel Adaptor Subs

PART NUMBER	DESCRIPTION
100667	AW Rod Pin to NWL Rod Pin
100852	AW Rod Pin to ND Rod Pin
104135	AW Rod Pin to NR Rod Pin

N - Universal Water Swivel Adaptor Subs

PART NUMBER	DESCRIPTION
100593	BW Rod Pin to NWL Rod Pin
102588	BW Rod Pin to ND Rod Pin
104136	BW Rod Pin to NR Rod Pin

N - Hoisting Plug Adaptor Subs - 5,000 LB

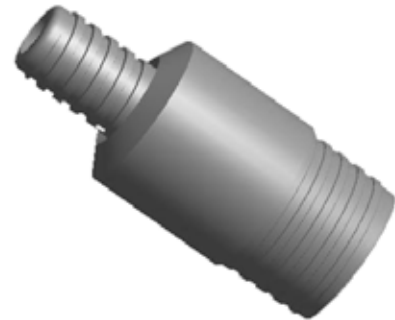
PART NUMBER	DESCRIPTION
100667	AW Rod Pin to NWL Rod Pin
100852	AW Rod Pin to ND Rod Pin
104135	AW Rod Pin to NR Rod Pin

N - Hoisting Plug Adaptor Subs - 10,000 / 30,000 LB

PART NUMBER	DESCRIPTION
100595	NW Rod Pin to NWL Rod Pin
102589	NW Rod Pin to ND Rod Pin
102590	NW Rod Pin to NWL Bullnose
102591	NW Rod Pin to ND Bullnose
104137	NW Rod Pin to NR Rod Pin
104141	NW Rod Pin to NR Bullnose

Other adaptor subs available upon request. Contact your sales representative.

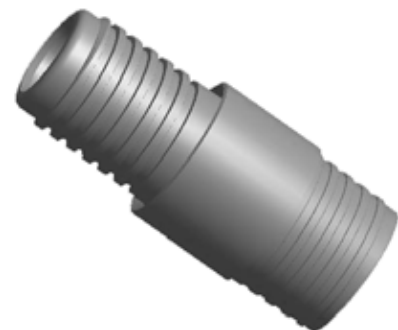
ROD TO WATER SWIVEL ADAPTOR SUB



ROD TO HOIST PLUG ADAPTOR SUB



ROD TO HOIST PLUG ADAPTOR SUB



ROD TO BULL NOSE ADAPTOR SUB



N - Rod to Casing Adaptor Subs

PART NUMBER	DESCRIPTION
100673	NWL Rod Box to NW Casing Pin
102592	ND Rod Box to NW Casing Pin
104145	NR Rod Box to NW Casing Pin

N - Rod to Rod Adaptor Subs

PART NUMBER	DESCRIPTION
100834	NWL Rod Box to ND Rod Pin
104147	NWL Rod Box to NR Rod Pin
100835	ND Rod Box to NWL Rod Pin
102730	ND Rod Box to NR Rod Pin
104148	NR Rod Box to NWL Rod Pin
102731	NR Rod Box to ND Rod Pin

N - Rod to Rod Recovery Tap Adaptor Subs

PART NUMBER	DESCRIPTION
100684	NWL Rod Box to BW Rod Pin
101133	ND Rod Box to BW Rod Pin

N - Hoisting Plug Adaptor Subs - 10,000 / 30,000 LB

PART NUMBER	DESCRIPTION
100685	NWL Rod Box to NW Rod Pin
102593	ND Rod Box to NW Rod Pin

Other adaptor subs available upon request. Contact your sales representative.

ROD TO ROD/CASING ADAPTOR SUB



ROD TO RECOVERY TAP ADAPTOR SUB



HOISTING PLUG ADAPTOR SUB



ADAPTOR SUBS

N - Water Saver Sub

PART NUMBER	DESCRIPTION
102594	NWL Water Saver Sub
102595	ND Water Saver Sub
104259	NR Water Saver Sub

N - Blank End Adaptor Subs - Solid

PART NUMBER	DESCRIPTION
102596	NWL Rod Box to Solid Blank
102597	ND Rod Box to Solid Blank
104236	NR Rod Box to Solid Blank
102598	NWL Rod Pin to Solid Blank
102599	ND Rod Pin to Solid Blank
104159	NR Rod Pin to Solid Blank

N - Blank End Adaptor Subs - Tubing

PART NUMBER	DESCRIPTION
102606	NWL Rod Box to Tubing Blank
102607	ND Rod Box to Tubing Blank
104239	NR Rod box to Tubing Blank
102608	NWL Rod Pin to Tubing Blank
102609	ND Rod Pin to Tubing Blank
104249	NR Rod Pin to Tubing Blank

Other adaptor subs available upon request. Contact your sales representative.

ROD TO WATER SAVER ADAPTOR SUB



ROD TO SOLID BLANK END ADAPTOR SUB



ROD TO TUBING BLANK END ADAPTOR SUB



H - CORE RETRIEVAL SYSTEM

HWL | HD

HW | HWT

AW | BW

NW

HWL | HD | HW | HWT

HWL | HD

HWL | HD

HWL | HD

HWL | HD

HWL | HD

Drill Rods

Casing

Water Swivel Adaptor Subs

Hoisting Plug Adaptor Subs

Rod to Casing Adaptor Subs

Rod to Rod Adaptor Subs

Recovery Tap Adaptor Subs

Water Saver Subs

Blank End Adaptor Subs - Solid

Blank End Adaptor Subs - Tubular

DRILL ROD AND CASING

H - Drill Rods

PART NUMBER	CASING SIZE	LENGTH
STANDARD WIRELINE DRILL ROD		
102111 / 102119	HWL	3 m (10 ft)
102127 / 102135	HWL	1.5 m (5 ft)
103049	HWL	0.6 m
DEEP HOLE WIRELINE DRILL ROD		
102327 / 102432	HD	3 m (10 ft)
102431 / 102433	HD	1.5 m (5 ft)
104252 / 104250	HR	3 m (10 ft)
104253 / 104251	HR	1.5 m (5 ft)
STANDARD WIRELINE DRILL ROD LITE		
102150	HWL	3 m
DEEP HOLE WIRELINE DRILL ROD LITE		
102154	HD	3 m
104265 / 104206	HR	3 m (10 ft)

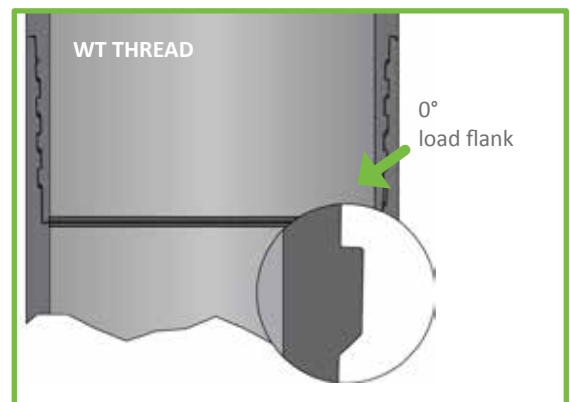
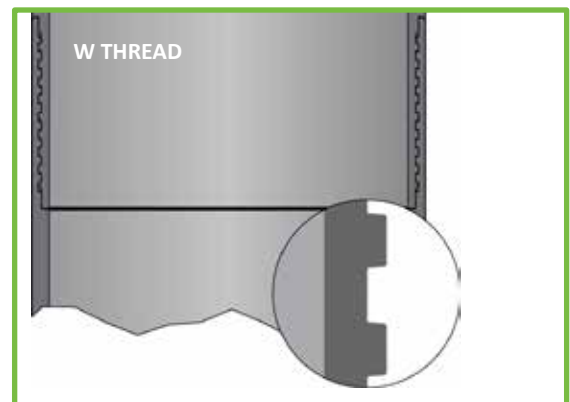
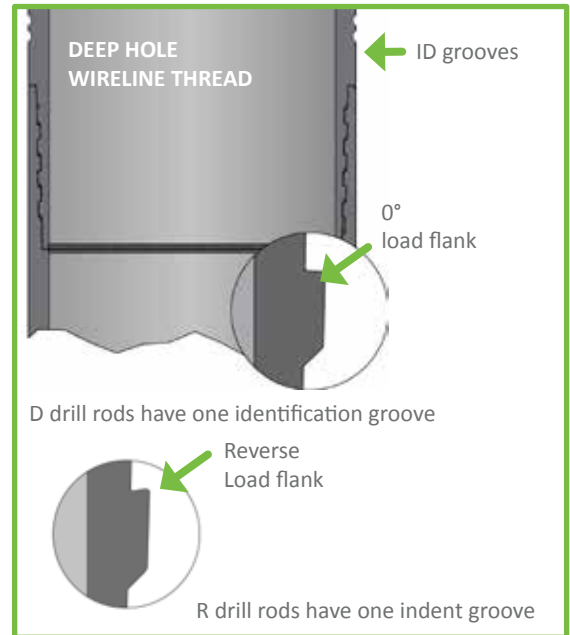
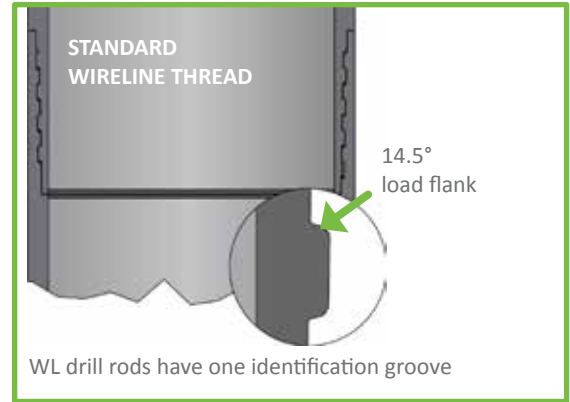
Drill rods are sold by the bundle, refer to the packaging and shipping page for complete details.

NOTE: A wear sample and wear gauges are available to measure life left in your drill rod so that issues can be avoided down the hole. See Tools section.

HW / HWT - Casing

PART NUMBER	CASING SIZE	LENGTH
102081 / 102080	HW	3 m (10 ft)
102079 / 102078	HW	1.5 m (5 ft)
102907	HW	0.6 m
102372	HW	2 ft
102089 / 102088	HWT	3 m (10 ft)
102087 / 102086	HWT	1.5 m (5 ft)
102963	HWT	0.6 m
102328	HWT	2 ft

Casing is sold by the bundle, refer to the packaging and shipping page for complete details.



H - Compact Water Swivel Adaptor Subs

PART NUMBER	DESCRIPTION
100668	AW Rod Pin to HWL Rod Pin
102610	AW Rod Pin to HD Rod Pin
104225	AW Rod Pin to HR Rod Pin

H - Universal Water Swivel Adaptor Subs

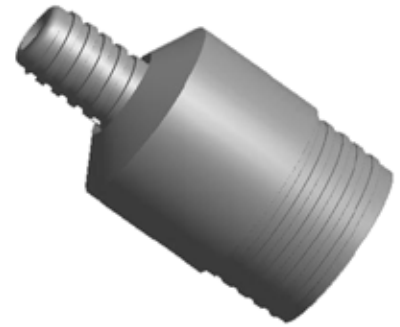
PART NUMBER	DESCRIPTION
100594	BW Rod Pin to HWL Rod Pin
102611	BW Rod Pin to HD Rod Pin
104226	BW Rod Pin to HR Rod Pin

H - Hoisting Plug Adaptor Subs - 10,000 / 30,000 LB

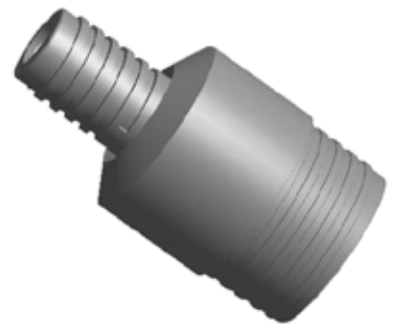
PART NUMBER	DESCRIPTION
100596	NW Rod Pin to HWL Rod Pin
102612	NW Rod Pin to HD Rod Pin
102613	NW Rod Pin to HWL Bullnose
102614	NW Rod Pin to HD Bullnose
104227	NW Rod Pin to HR Rod Pin
104256	NW Rod Pin to HR Bullnose

Other adaptor subs available upon request. Contact your sales representative.

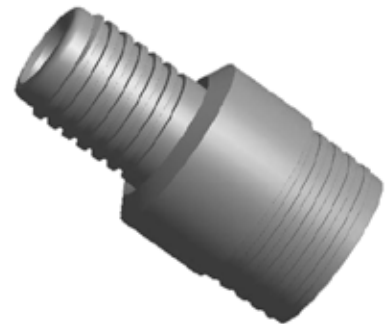
ROD TO WATER SWIVEL ADAPTOR SUB



ROD TO HOIST PLUG ADAPTOR SUB



ROD TO HOIST PLUG ADAPTOR SUB



ROD TO BULL NOSE ADAPTOR SUB



ADAPTOR SUBS

H - Rod to Casing Adaptor Subs

PART NUMBER	DESCRIPTION
101866	HWL Rod Box to HW Casing Pin
102617	HD Rod Box to HW Casing Pin
104234	HR Rod Box to HW Casing Pin
100676	HWL Rod Box to HWT Casing Pin
102618	HD Rod Box to PD (HWT Casing) Rod Pin
104232	HR Rod Box to HWT Casing Pin
102619	HW Casing Box to HWT Casing (PD Rod Pin)
102620	HWT Casing (PD Rod) Box to HW Casing Pin

H - Rod to Rod Adaptor Subs

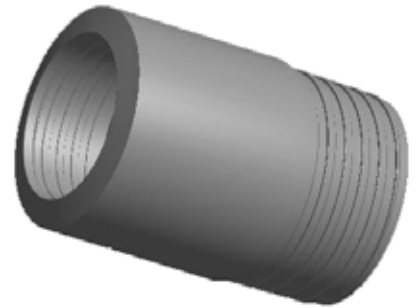
PART NUMBER	DESCRIPTION
102615	HWL Rod Box to HD Rod Pin
104229	HWL Rod Box to HR Rod Pin
102616	HD Rod Box to HWL Rod Pin
104231	HD Rod Box to HR Rod Pin
104228	HR Rod Box to HWL Rod Pin
104230	HR Rod Box to HD Rod Pin

H - Rod to Rod/Casing Recovery Tap Adaptor Subs

PART NUMBER	DESCRIPTION
100687	HWL Rod Box to NW Rod Pin
102621	HD Rod Box to NW Rod Pin
104258	HR Rod Box to NW Rod Pin

Other adaptor subs available upon request. Contact your sales representative.

ROD TO CASING ADAPTOR SUB



ROD TO ROD ADAPTOR SUB



ROD TO RECOVERY TAP ADAPTOR SUB



H - Water Saver Sub

PART NUMBER	DESCRIPTION
102622	HWL Water Saver Sub
102623	HD Water Saver Sub
104261	HR Water Saver Sub

H - Blank End Adaptor Subs - Solid

PART NUMBER	DESCRIPTION
102624	HWL Rod Box to Solid Blank
102625	HD Rod Box to Solid Blank
104237	HR Rod Box to Solid Blank
102626	HWL Rod Pin to Solid Blank
102627	HD Rod Pin to Solid Blank
104238	HR Rod Pin to Solid Blank

H - Blank End Adaptor Subs - Tubing

PART NUMBER	DESCRIPTION
102628	HWL Rod Box to Tubing Blank
102629	HD Rod Box to Tubing Blank
104254	HR Rod Box to Tubing Blank
102630	HWL Rod Pin to Tubing Blank
102631	HD Rod Pin to Tubing Blank
104255	HR Rod Pin to Tubing Blank

Other adaptor subs available upon request. Contact your sales representative.

ROD TO WATER SAVER ADAPTOR SUB



ROD TO SOLID BLANK END ADAPTOR SUB



ROD TO TUBING BLANK END ADAPTOR SUB



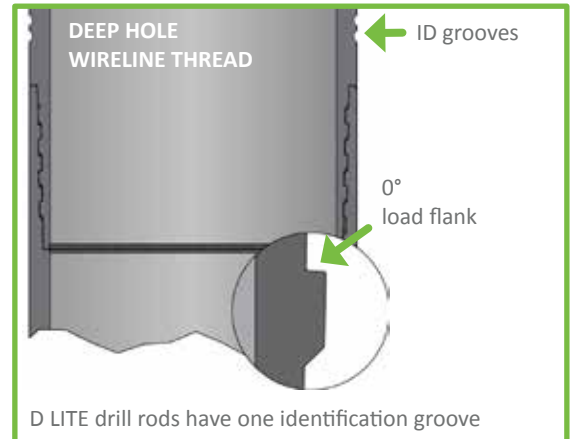
P - CORE RETRIEVAL SYSTEM

PD	Drill Rods
PW PWT	Casing
AW BW	Water Swivel Adaptor Subs
NW	Hoisting Plug Adaptor Subs
PD PW PWT	Rod to Casing Adaptor Subs
PD PW PWT	Rod to Rod Adaptor Subs
PD PW PWT	Recovery Tap Adaptor Subs
PD	Water Saver Subs
PD	Blank End Adaptor Subs - Solid
PD	Blank End Adaptor Subs - Tubular

DRILL ROD AND CASING

P - Drill Rods

PART NUMBER	CASING SIZE	LENGTH
DEEP HOLE WIRELINE DRILL ROD		
102140 / 102141	PD	3 m (10 ft)
102142 / 102143	PD	1.5 m (5 ft)
DEEP HOLE WIRELINE DRILL ROD LITE		
102830 / 102831	PD	3 m (10 ft)
102832 / 102833	PD	1.5 m (5 ft)



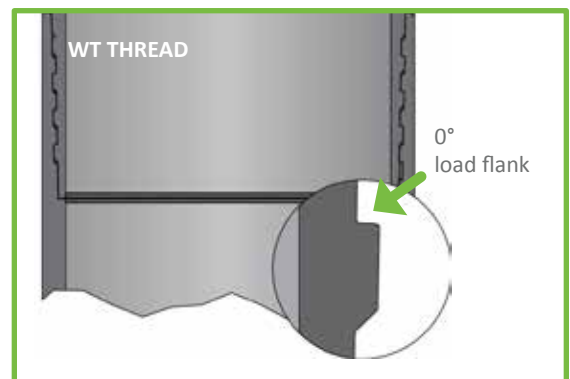
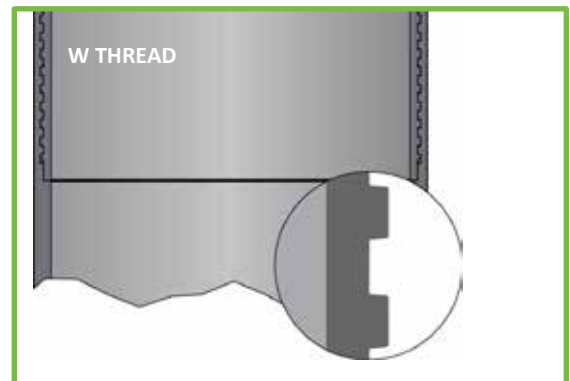
Di-Corp is one of only a few manufacturers that offer P sized drill rod with through-hardened box and pin ends to maximize joint strength and increase rod life.

Drill rods are sold by the bundle, refer to the packaging and shipping page for complete details.

NOTE: A wear sample and wear gauges are available to measure life left in your drill rod so that issues can be avoided down the hole. See Tools section.

PW / PWT - Casing

PART NUMBER	CASING SIZE	LENGTH
102085	PW	3 m
102083 / 102082	PW	1.5 m (5 ft)
102093 / 102092	PWT	3 m (10 ft)
102091 / 102090	PWT	1.5 m (5 ft)
103215	PWT	0.6 m
103579	PWT	2ft



Casing is sold by the bundle, refer to the packaging and shipping page for complete details.

ADAPTOR SUBS

P - Compact Water Swivel Adaptor Subs

PART NUMBER	DESCRIPTION
101860	AW Rod Pin to PD (HWT Casing) Rod Pin

P - Universal Water Swivel Adaptor Subs

PART NUMBER	DESCRIPTION
102632	BW Rod Pin to PD (HWT Casing) Rod Pin

P - Hoisting Plug Adaptor Subs - 10,000 / 30,000 LB

PART NUMBER	DESCRIPTION
102633	NW Rod Pin to PD Rod (HWT Casing) Pin
102634	NW Rod Pin to PD Rod (HWT Casing) Bullnose

Other adaptor subs available upon request. Contact your sales representative.

ROD TO WATER SWIVEL ADAPTOR SUB



ROD TO HOIST PLUG ADAPTOR SUB



ROD TO BULL NOSE ADAPTOR SUB



P - Rod to Rod / Casing Adaptor Subs

PART NUMBER	DESCRIPTION
102248	PD Rod (HWT Casing) Box to PW Casing Pin
100678	PD Rod (HWT Casing) Box to PWT Casing (SD Rod) Pin
102635	PW Casing Box to PWT Casing (SD Rod) Pin
102636	PWT Casing (SD Rod) Box to PW Casing Pin

P - Rod to Rod / Casing Recovery Tap Adaptor Subs

PART NUMBER	DESCRIPTION
102637	PD Rod (HWT Casing) Box to NW Rod Pin

Other adaptor subs available upon request. Contact your sales representative.

ROD TO ROD/CASING ADAPTOR SUB



ROD TO RECOVERY TAP ADAPTOR SUB



ADAPTOR SUBS

P - Water Saver Sub

PART NUMBER	DESCRIPTION
102638	PD (HWT Casing) Water Saver Sub

P - Blank End Adaptor Subs - Solid

PART NUMBER	DESCRIPTION
102639	PD Rod (HWT Casing) Box to Solid Blank
102640	PD Rod (HWT Casing) Pin to Solid Blank

P - Blank End Adaptor Subs - Tubing

PART NUMBER	DESCRIPTION
102641	PD (HWT Casing) Rod Box to Tubing Blank
102642	PD (HWT Casing) Rod Pin to Tubing Blank

Other adaptor subs available upon request. Contact your sales representative.

ROD TO WATER SAVER ADAPTOR SUB



ROD TO SOLID BLANK END ADAPTOR SUB



ROD TO TUBING BLANK END ADAPTOR SUB





APPENDIX

Coring System Specifications
Thread Compound
Drill Rod Specifications
Casing Specifications
Packaging & Shipping Information

CORING SYSTEM SPECIFICATIONS

STANDARD CORING SYSTEM SPECIFICATIONS

B

Hole Ø	59.94 mm	2.360 in
Core Ø	36.40 mm	1.433 in
Hole Volume	2.82 L/m	0.227 USgal/ft
Rod/Hole Annulus	0.39 L/m	0.032 USgal/ft

N

Hole Ø	75.79 mm	2.984 in
Core Ø - N	47.63 mm	1.875 in
Core Ø - N2	50.67 mm	1.995 in
Core Ø - N3	45.09 mm	1.775 in
Hole Volume	4.50 L/m	0.362 USgal/ft
Rod/Hole Annulus	0.66 L/m	0.053 USgal/ft

H

Hole Ø	96.06 mm	3.782 in
Core Ø - H	63.50 mm	2.500 in
Core Ø - H3	61.11 mm	2.406 in
Hole Volume	7.25 L/m	0.584 USgal/ft
Rod/Hole Annulus	1.04 L/m	0.084 USgal/ft

P

Hole Ø	122.53 mm	4.824 in
Core Ø - P	84.96 mm	3.345 in
Core Ø - P3	83.06 mm	3.270 in
Hole Volume	11.79 L/m	0.949 USgal/ft
Rod/Hole Annulus	1.53 L/m	0.123 USgal/ft

THIN WALL CORING SYSTEM SPECIFICATIONS

BTW

Hole Ø	59.94 mm	2.360 in
Core Ø	42.01 mm	1.654 in
Hole Volume	2.82 L/m	0.227 USgal/ft
Rod/Hole Annulus	0.31 L/m	0.025 USgal/ft

NTW

Hole Ø	75.79 mm	2.984 in
Core Ø	56.11 mm	2.209 in
Hole Volume	4.50 L/m	0.362 USgal/ft
Rod/Hole Annulus	0.31 L/m	0.025 USgal/ft

All dimensions are nominal

THREAD COMPOUND

Earth Pro Thread Compound is factory coated on the box and pin ends of every Drillers Edge Rod and Casing. It's then protected with biodegradable plastic end caps to ensure it remains in place until used on the first make and break of the joint.

- Less friction for reduced galling
- Lowers torque requirements — proper makeup is achieved quickly with minimum torque
- Performs as an excellent sealant at pressures up to 20,000 psi
- Environmentally friendly
- Corrosion and rust inhibitor
- Available sizes: 20 L pail / 3.8 L pail



DRILL ROD SPECIFICATIONS

Standard Wireline Drill Rod - Parallel Wall

Specification (nominal)	Unit	BWL	NWL	HWL
Outer diameter OD	mm (in)	55.58 (2.19)	69.90 (2.75)	88.90 (3.50)
Inner diameter ID	mm (in)	46.10 (1.82)	60.33 (2.38)	77.79 (3.06)
Wall thickness	mm (in)	4.87 (0.19)	4.87 (0.19)	5.59 (0.22)
Pin end length	mm (in)	44.45 (1.75)	44.45 (1.75)	44.45 (1.75)
Thread pitch	mm (in)	8.47 (0.33)	8.47 (0.33)	8.47 (0.33)
Weight	kg/m (lb/ft)	5.97 (4.01)	7.64 (5.14)	11.42 (7.67)
Rod content volume	L/m (g/ft)	1.66 (0.13)	2.86 (0.23)	4.75 (0.38)
Hole volume	L/m (g/ft)	2.83 (0.23)	4.51 (0.36)	7.20 (0.58)
Rod/hole annulus volume	L/m (g/ft)	0.41 (0.03)	0.68 (0.05)	1.06 (0.09)
Recommended max depth	m (ft)	1500.00 (4921.26)	2000.00 (6561.68)	1500.00 (4921.26)
Rated max pullback	kN (lbf)	TBA	222.41 (50,000)	444.82 (100,000)
Rated max drilling torque	Nm (lbf ft)	TBA	1355.82 (1000)	2711.64 (2000)
Min make-up torque to 1000m	Nm (lbf ft)	409.47 (300)	750.69 (550)	1016.85 (750)
Displacement volume	L/m (g/ft)	0.76 (0.06)	0.97 (0.08)	1.45 (0.12)

Standard Wireline Drill Rod - LITE

Specification (nominal)	Unit	NWL	HWL
Outer diameter OD	mm (in)	69.90 (2.75)	88.90 (3.50)
Inner diameter ID - box shoulder	mm (in)	60.33 (2.38)	77.79 (3.06)
Inner diameter ID - midbody	mm (in)	61.82 (2.43)	80.85 (3.18)
Wall thickness - box shoulder	mm (in)	4.76 (0.19)	4.76 (0.19)
Wall thickness - midbody	mm (in)	4.03 (0.16)	4.03 (0.16)
Pin end length	mm (in)	44.45 (1.75)	44.45 (1.75)
Thread pitch	mm (in)	8.47 (0.33)	8.47 (0.33)
Weight*	kg/m (lb/ft)	6.73 (4.53)	9.08 (6.11)
Rod content volume*	L/m (g/ft)	3.03 (0.24)	5.09 (0.41)
Hole volume	L/m (g/ft)	4.51 (0.36)	7.20 (0.58)
Rod/hole annulus volume	L/m (g/ft)	0.68 (0.05)	1.06 (0.09)
Recommended max depth**	m (ft)	2500 (8202.10)	1750 (5741.47)
Rated max pullback	kN (lbf)	222.41 (50,000)	444.82 (100,000)
Rated max drilling torque	Nm (lbf ft)	1355.82 (1000)	2711.64 (2000)
Min make-up torque to 1000m	Nm (lbf ft)	750.69 (550)	1016.85 (750)
Displacement volume	L/m (g/ft)	0.88 (0.07)	1.18 (0.10)

* Calculation based on a 10 ft drill rod

** Recommended maximum depth capacity with lower powered drill

These ratings are based on calculated and/or tested values and similar results can be expected. The care and handling, as well as drilling conditions, practices, and equipment, will also play a significant role in the ultimate depth capacity and performance. If additional values are required, contact your sales representative.

The use of anti-galling thread compound is mandatory for the initial make-up of the joint.

DRILL ROD SPECIFICATIONS

Deep Hole Wireline Drill Rod - Parallel Wall

Specification (nominal)	Unit	ND	HD	PD
Outer diameter OD	mm (in)	69.90 (2.75)	88.90 (3.50)	114.30 (4.50)
Inner diameter ID	mm (in)	60.33 (2.38)	77.79 (3.06)	101.60 (4.00)
Wall thickness	mm (in)	4.87 (0.19)	5.59 (0.22)	6.54 (0.26)
Pin end length	mm (in)	44.45 (1.75)	44.45 (1.75)	62.99 (2.48)
Thread pitch	mm (in)	8.47 (0.33)	8.47 (0.33)	10.16 (0.40)
Weight	kg/m (lb/ft)	7.64 (5.14)	11.42 (7.67)	17.41 (11.70)
Rod content volume	L/m (g/ft)	2.86 (0.23)	4.75 (0.38)	8.08 (0.65)
Hole volume	L/m (g/ft)	4.51 (0.36)	7.20 (0.58)	11.82 (0.95)
Rod/hole annulus volume	L/m (g/ft)	0.68 (0.05)	1.06 (0.09)	1.53 (0.12)
Recommended max depth	m (ft)	3000 (9842.52)	2500 (8202.10)	TBA
Rated max pullback	kN (lbf)	333.62 (75,000)	511.55 (115,000)	TBA
Rated max drilling torque	Nm (lbf ft)	3389.54 (2500)	4745.30 (3500)	TBA
Min make-up torque to 1000m	Nm (lbf ft)	750.69 (550)	1016.85 (750)	1016.85 (750)
Displacement volume	L/m (g/ft)	0.97 (0.08)	1.45 (0.12)	2.22 (0.18)

Deep Hole Wireline Drill Rod - LITE

Specification (nominal)	Unit	ND LITE	HD LITE	PD LITE
Outer diameter OD	mm (in)	69.90 (2.75)	88.90 (3.50)	114.30 (4.50)
Inner diameter ID - box shoulder	mm (in)	60.33 (2.38)	77.79 (3.06)	101.60 (4.00)
Inner diameter ID - midbody	mm (in)	61.82 (2.43)	80.85 (3.18)	106.30 (4.19)
Wall thickness - box shoulder	mm (in)	4.76 (0.19)	4.76 (0.19)	5.56 (0.22)
Wall thickness - midbody	mm (in)	4.03 (0.16)	4.03 (0.16)	4.03 (0.16)
Pin end length	mm (in)	44.45 (1.75)	44.45 (1.75)	62.99 (2.48)
Thread pitch	mm (in)	8.47 (0.33)	8.47 (0.33)	10.16 (0.40)
Weight*	kg/m (lb/ft)	6.73 (4.53)	9.08 (6.11)	12.44 (8.37)
Rod content volume*	L/m (g/ft)	3.03 (0.24)	5.09 (0.41)	8.84 (0.71)
Hole volume	L/m (g/ft)	4.51 (0.36)	7.20 (0.58)	11.82 (0.95)
Rod/hole annulus volume	L/m (g/ft)	0.68 (0.05)	1.06 (0.09)	1.53 (0.12)
Recommended max depth**	m (ft)	3500 (11482.94)	3000 (9842.52)	TBA
Rated max pullback	kN (lbf)	333.62 (75,000)	511.55 (115,000)	TBA
Rated max drilling torque	Nm (lbf ft)	3389.54 (2500)	4745.30 (3500)	TBA
Min make-up torque to 1000m	Nm (lbf ft)	750.69 (550)	1016.85 (750)	1016.85 (750)
Displacement volume	L/m (g/ft)	0.88 (0.07)	1.18 (0.10)	1.61 (0.13)

* Calculation based on a 10 ft drill rod

** Recommended maximum depth capacity with lower powered drill

These ratings are based on calculated and/or tested values and similar results can be expected. The care and handling, as well as drilling conditions, practices, and equipment, will also play a significant role in the ultimate depth capacity and performance. If additional values are required, contact your sales representative.

The use of anti-galling thread compound is mandatory for the initial make-up of the joint.

DRILL ROD SPECIFICATIONS

Reverse Flank Wireline Drill Rod - Parallel Wall

Specification (nominal)	Unit	NR	HR
Outer diameter OD	mm (in)	69.90 (2.75)	88.90 (3.50)
Inner diameter ID	mm (in)	60.33 (2.38)	77.79 (3.06)
Wall thickness	mm (in)	4.87 (0.19)	5.59 (0.22)
Pin end length	mm (in)	41.91 (1.65)	41.91 (1.65)
Thread pitch	mm (in)	8.47 (0.33)	8.47 (0.33)
Weight	kg/m (lb/ft)	7.64 (5.14)	11.42 (7.67)
Rod content volume	L/m (g/ft)	2.86 (0.23)	4.75 (0.38)
Hole volume	L/m (g/ft)	4.51 (0.36)	7.20 (0.58)
Rod/hole annulus volume	L/m (g/ft)	0.68 (0.05)	1.06 (0.09)
Recommended max depth	m (ft)	>3000 (9842.52)	>2500 (8202.10)
Rated max pullback	kN (lbf)	378.10 (85,000)	556.03 (125,000)
Rated max drilling torque	Nm (lbf ft)	4067.45 (3000)	5423.27 (4000)
Min make-up torque to 1000m	Nm (lbf ft)	750.69 (550)	1016.85 (750)
Displacement volume	L/m (g/ft)	0.97 (0.08)	1.45 (0.12)

Reverse Flank Wireline Drill Rod - LITE

Specification (nominal)	Unit	NR LITE	HR LITE
Outer diameter OD	mm (in)	69.90 (2.75)	88.90 (3.50)
Inner diameter ID - box shoulder	mm (i)	60.33 (2.38)	77.79 (3.06)
Inner diameter ID - midbody	mm (in)	61.82 (2.43)	80.85 (3.18)
Wall thickness - box shoulder	mm (in)	4.76 (0.19)	4.76 (0.19)
Wall thickness - midbody	mm (in)	4.03 (0.16)	4.03 (0.16)
Pin end length	mm (in)	41.91 (1.65)	44.45 (1.75)
Thread pitch	mm (in)	8.47 (0.33)	8.47 (0.33)
Weight*	kg/m (lb/ft)	6.73 (4.53)	9.08 (6.11)
Rod content volume*	L/m (g/ft)	3.03 (0.24)	5.09 (0.41)
Hole volume	L/m (g/ft)	4.51 (0.36)	7.20 (0.58)
Rod/hole annulus volume	L/m (g/ft)	0.68 (0.05)	1.06 (0.09)
Recommended max depth**	m (ft)	>3500 (11,482.94)	?3000 (9842.52)
Rated max pullback	kN (lbf)	378.10 (85,000)	556.03 (125,000)
Rated max drilling torque	Nm (lbf ft)	4067.45 (3000)	5423.27 (4000)
Min make-up torque to 1000m	Nm (lbf ft)	750.69 (550)	1016.85 (750)
Displacement volume	L/m (g/ft)	0.88 (0.07)	1.18 (0.10)

* Calculation based on a 10 ft drill rod

** Recommended maximum depth capacity with lower powered drill

These ratings are based on calculated and/or tested values and similar results can be expected. The care and handling, as well as drilling conditions, practices, and equipment, will also play a significant role in the ultimate depth capacity and performance. If additional values are required, contact your sales representative.

The use of anti-galling thread compound is mandatory for the initial make-up of the joint

CASING SPECIFICATIONS

Casing Specification				
Specification (nominal)	Unit	BW	NW	HW
Outer diameter OD	mm (in)	73.15 (2.88)	88.09 (3.51)	114.30 (4.51)
Inner diameter ID - box shoulder	mm (in)	60.30 (2.37)	76.20 (3.00)	101.60 (4.00)
Wall thickness	mm (in)	4.80 (0.19)	5.60 (0.22)	6.60 (0.26)
Pin end length	mm (in)	62.80 (2.47)	62.80 (2.47)	62.80 (2.47)
Thread pitch	mm (in)	6.35 (0.25)	6.35 (0.25)	6.35 (0.25)
Weight	kg/m (lb/ft)	10.40 (75.20)	12.80 (92.60)	17.40 (125.90)
Casing content volume	L/m (gpm)	2.86 (0.76)	4.80 (1.27)	8.10 (2.10)
Hole volume	L/m (gpm)	4.50 (1.19)	7.30 (1.93)	11.80 (3.10)
Casing/hole annulus volume	L/m (gpm)	0.67 (0.18)	1.00 (0.26)	1.60 (0.42)
Displacement volume	L/m (gpm)	0.97 (0.26)	1.50 (0.40)	2.16 (0.57)

Specification	Unit	HWT	PWT
Outer diameter OD	mm (in)	114.30 (4.50)	139.70 (5.50)
Inner diameter ID - box shoulder	mm (in)	101.60 (4.00)	127.00 (5.00)
Wall thickness	mm (in)	6.60 (0.26)	6.60 (0.26)
Pin end length	mm (in)	62.80 (2.47)	62.80 (2.47)
Thread pitch	mm (in)	10.16 (0.40)	10.16 (0.40)
Weight	kg/m (lb/ft)	17.40 (92.60)	21.40 (154.80)
Casing content volume	L/m (gpm)	8.10 (2.10)	12.70 (3.40)
Hole volume	L/m (gpm)	11.80 (3.10)	16.70 (4.40)
Casing/hole annulus volume	L/m (gpm)	1.60 (0.42)	1.40 (0.37)
Displacement volume	L/m (gpm)	2.16 (0.57)	2.16 (0.57)

These ratings are based on calculated and/or tested values and similar results can be expected. The care and handling, as well as drilling conditions, practices, and equipment, will also play a significant role in the ultimate depth capacity and performance. If additional values are required, contact your sales representative.

The use of anti-galling thread compound is recommended for the initial make-up of the joint.

PACKAGING & SHIPPING

Packaging and Shipping Information - Drill Rod

Specification (nominal)	Rods per Bundle	Dimensions L x W x H m (ft)	Volume m ³ (ft ³)	Gross Weight kg (lb)	Bundles (Rods) per 20 ft Container	Bundles (Rods) per 40 ft Container
3.0M / 10FT LENGTHS						
B ROD	19	3.2 x 0.3 x 0.3 (10.3 x 1.0 x 0.8)	0.2 (8.1)	350 (770)	53 (1007)	68 (1292)
N ROD	19	3.2 x 0.4 x 0.3 (10.3 x 1.2 x 1.1)	0.4 (13.0)	458 (1010)	32 (608)	45 (855)
N LITE ROD	19	3.2 x 0.4 x 0.3 (10.3 x 1.2 x 1.1)	0.4 (13.0)	394 (869)	32 (608)	45 (855)
H ROD	19	3.2 x 0.5 x 0.4 (10.3 x 1.5 x 1.3)	0.6 (21.2)	674 (1485)	20 (380)	30 (570)
H LITE ROD	19	3.2 x 0.5 x 0.4 (10.3 x 1.5 x 1.3)	0.6 (21.2)	540 (1191)	20 (380)	30 (570)
P ROD	7	3.2 x 0.4 x 0.3 (10.3 x 1.2 x 1.1)	0.4 (14.1)	374 (826)	24 (168)	54 (378)
P LITE ROD	7	3.2 x 0.4 x 0.3 (10.3 x 1.2 x 1.1)	0.4 (14.1)	284 (626)	24 (168)	54 (378)
1.5M / 5FT LENGTHS						
B ROD	19	1.6 x 0.3 x 0.3 (5.3 x 1.0 x 0.8)	0.1 (3.5)	175 (335)	106 (2014)	136 (2584)
N ROD	19	1.6 x 0.4 x 0.3 (5.3 x 1.2 x 1.1)	0.2 (7.0)	229 (505)	64 (1216)	90 (1710)
H ROD	19	1.6 x 0.5 x 0.4 (5.3 x 1.5 x 1.3)	0.3 (10.9)	336 (742)	40 (760)	60 (1140)
P ROD	7	1.6 x 0.4 x 0.3 (5.3 x 1.2 x 1.1)	0.4 (14.1)	187 (413)	48 (336)	108 (756)

Packaging and Shipping Information - Casing

Specification (nominal)	Rods per Bundle	Dimensions L x W x H m (ft)	Volume m ³ (ft ³)	Gross Weight kg (lb)	Bundles (Rods) per 20 ft Container	Bundles (Rods) per 40 ft Container
3.0M / 10FT LENGTHS						
AW CASING	19	3.2 x 0.3 x 0.3 (10.3 x 1.0 x 0.8)	0.2 (8.1)	331 (730)	53 (1007)	68 (1292)
BW CASING	19	3.2 x 0.4 x 0.3 (10.3 x 1.2 x 1.1)	0.4 (13.0)	607 (1339)	32 (608)	45 (855)
NW CASING	19	3.2 x 0.5 x 0.4 (10.3 x 1.5 x 1.3)	0.6 (21.2)	752 (1658)	20 (380)	30 (570)
HW HWT CASING	7	3.2 x 0.4 x 0.3 (10.3 x 1.2 x 1.1)	0.4 (14.1)	372 (821)	24 (168)	54 (378)
1.5M / 5FT LENGTHS						
AW CASING	19	1.6 x 0.3 x 0.3 (5.3 x 1.0 x 0.8)	0.1 (3.5)	166 (365)	106 (2014)	136 (1292)
BW CASING	19	1.6 x 0.4 x 0.3 (5.3 x 1.2 x 1.1)	0.2 (7.0)	304 (670)	64 (1216)	90 (1710)
NW CASING	19	1.6 x 0.5 x 0.4 (5.3 x 1.5 x 1.3)	0.3 (10.9)	376 (829)	40 (760)	60 (1140)
HW HWT CASING	7	1.6 x 0.4 x 0.3 (5.3 x 1.2 x 1.1)	0.4 (14.1)	186 (410)	48 (168)	108 (756)

These values are based on published industry values. Di-Corp uses similar materials and manufacturing processes, and believes similar measures can be expected when using our product.

LOCATIONS

CANADA LOCATIONS

BRANCHES

Barrie, ON

60 Lockhart Road
T: 1.877.683.7588

Calgary, AB

Bay D - 4405-75 Ave SE
T: 1.877.683.7588

Calgary, AB

#900, 800-6th Ave SW
T: 1.800.661.1343

Calgary, AB

Unit 2, 4816 35B St SE
T: 1.800.661.1343

Prince George, BC

1824 1 Ave
T: 1.800.665.6645

Innisfail, AB

4211-52nd Street Close
T: 403.227.4477

Nisku, AB

507 - 14 Ave
T: 1.877.683.7588

North Bay, ON

35 Voodoo Crescent
T: 705.472.7700

Saskatoon, SK

110 Wheeler St
T: 306.931.2190

STOCK LOCATIONS

Di-Corp Warehouse

Nisku, AB

Formula Powell

Blackfalds, AB
Edson, AB
Fort St. John, BC
Grande Prairie, AB
High Level, AB
Lloydminster, AB
Slave Lake, AB

Kentrax Warehouse

Weyburn, SK

Smithbrook Mud Service

Brooks, AB

Other Third Party Sites

Mississauga, ON
Montreal, QC
Thunderbay, ON
Prince George, BC

INTERNATIONAL LOCATIONS

BRANCHES

Hermosillo, Mexico

25B de los Tarahumaras
T: +52 662 251 1120

USA LOCATIONS

BRANCHES

Jentech Drilling Supply

195 Ingenuity Ave,
Sparks, NV 89441
T: 775.424.3045

STOCK LOCATIONS

Di-Corp Warehouse

Colorado Springs, CO

Jentech Warehouse

Bakersfield, CA
Battle Mountain, NV
Elko, NV
Nephi, UT
Chandler, AZ

CORPORATE OFFICE

8750-53 Ave NW
Edmonton, AB T6E 5G2
T: 780.440.4923
F: 780.469.1899